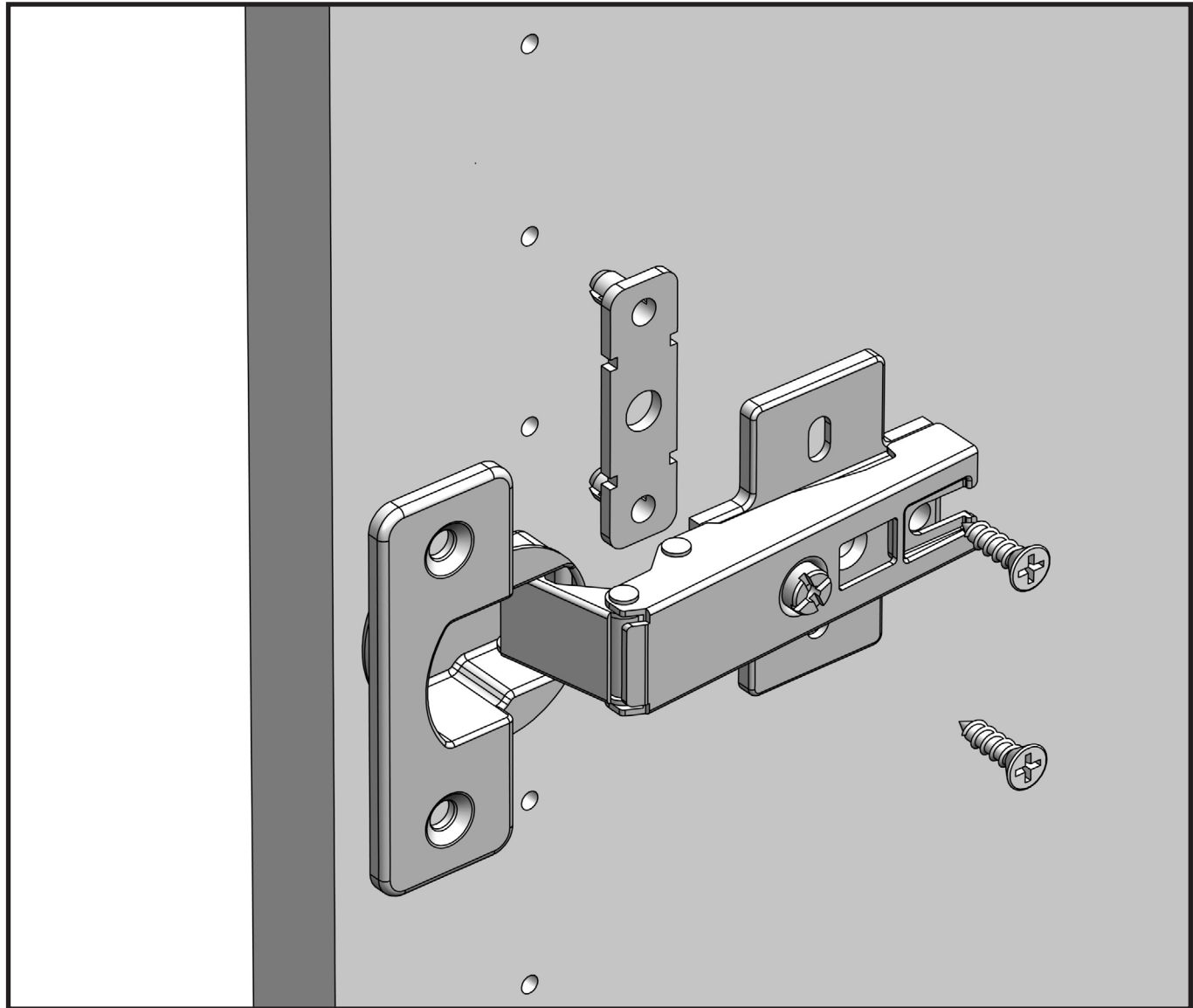


Ulti MATE

FULLY MODULAR / EXPANDABLE DESIGN

PRO GARAGE

HINGE ASSEMBLY INSTRUCTIONS



- 1. Insert plastic anchor into holes.**
- 2. Line up hinge.**
- 3. Fasten screws to plastic anchor.**

Bladez Corp. | Ultimate Garage - 20155 Ellipse - Foothill Ranch, CA 92610
949.206.8155 (V) - 949.206.0013 (F)

Rev 1.00