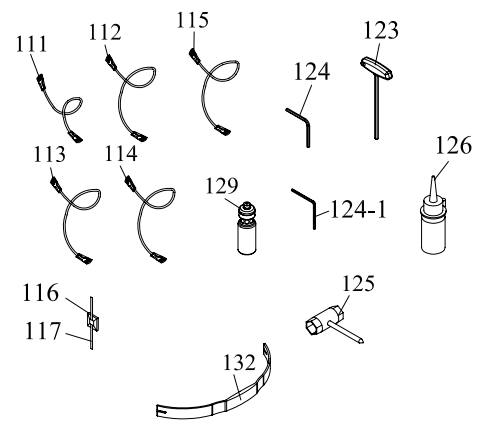
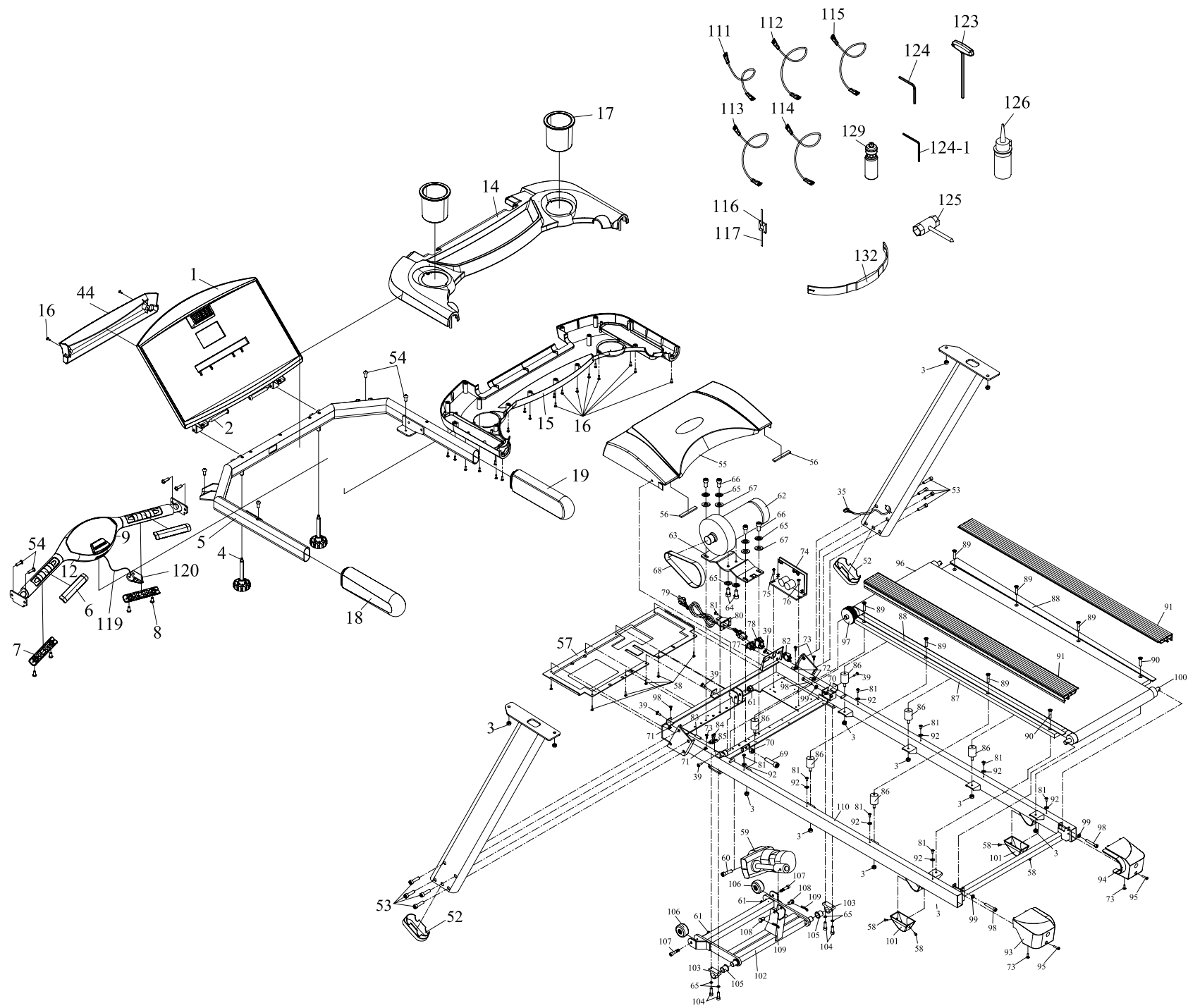
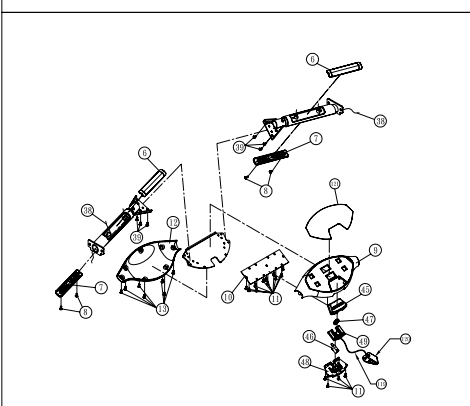
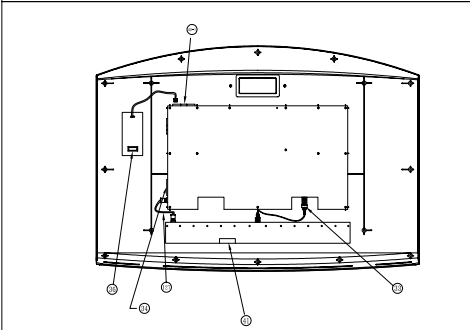
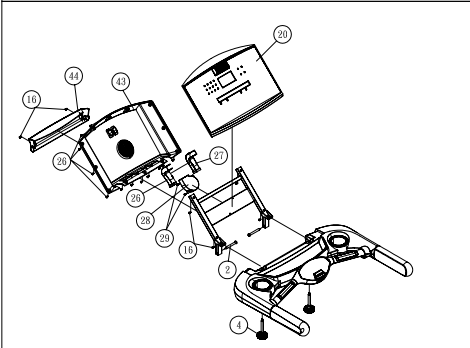
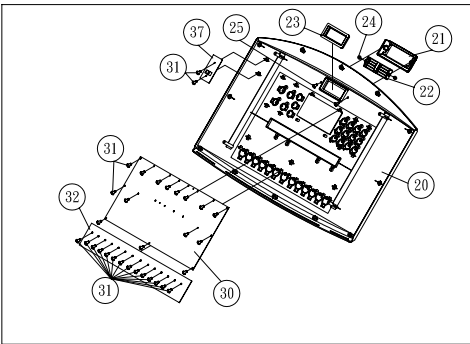


TREADMILL 8T30-EB-U U



8T30-EB-U Part List



Item	Description	Qty	Item	Description	Qty
1	Computer Assembly HTF138A-D	1	66	CKS Hex Screw M8xP1.25x20	4
2	Truss Hex Screw M8xP1.25x45	2	67	Washer Φ8xΦ19x3.0t	4
3	Nylon Nut M8xP1.25	12	68	Drive Belt CA-210J9	1
4	Plastic Handle	2	69	CKS Hex Screw M8xP1.25x45	1
5	Stuff Holder Assembly JTFE001	1	70	Hex Nut M8xP1.25	2
6	Hand Pulse Plastic Set(Upper) HTFB020	2	71	Wire Fixing Knob UC-0.5	2
7	Hand Pulse Plastic Set(Lower) HTFB021	2	72	Wire Fixing Knob UC-1	2
8	Round Head Philips Self Tappin Φ3x25	4	73	Washer Drilling Philips Screw M4xP0.7x16	6
9	Upper Control Box Cover P-2342	1	74	Controller (3.0HP,110V) DK30-110	1
10	Control Box Board APM KB10 XEK-161-002	1	75	Round Head Philips Screw M5xP0.8x10 (Galvanize)	3
11	Round Head Philips Self Tappin Φ3x8	14	76	Truss Philips Screw M5xP0.8x12	1
12	Lower Control Box Cover P-2307	1	77	Power Cord Socket (SC-8-3C)	1
13	Truss Philips Self Tapping Screw Φ5x15	7	78	Power Switch RF-1004-NBR4#W1AN	1
14	Upper Stuff Box Cover P-2344	1	79	Power Cord (For Treadmill) According to the Count	1
15	Lower Stuff Box Cover P-2345	1	80	Power Cord Switch Cover P-1825(Black)	1
16	Truss Philips Self Tapping Screw Φ4x16	26	81	Truss Philips Screw M4xP0.7x10	10
17	Bottle P-2305	2	82	Circuit Breaker RFMB-153-00ENN-RA	1
18	PU Handrail(Left) P-2343L	1	83	Sensor(Cylinder Shaped) 1050mm XEM-002	1
19	PU Handrail(Right) P-2343R	1	84	Round Head Philips Screw M4xP0.7x10	2
20	Upper Computer Cover P-2334	1	85	Sensor Fixing Base(3 Holes) P-2231	1
21	Fan Cover P-2338	1	86	Fixed Cushion 37mm	6
22	Fan Adjustment Plastic P-2339	1	87	Running Board 22"x60" MB-010A	1
23	Vent Rubber P-2311	1	88	Foam Sticker 1423mmx20mmx1.5t Single Sided Tap	2
24	O-Shaped Ring Φ4xΦ2 EPDM	2	89	Counter Sink Hex Screw M8xP1.25x35	6
25	Truss Philips Self Tapping Screw Φ4x10	14	90	Counter Sink Hex Screw M8xP1.25x40	2
26	Vessel(Left) Explorer P-1845L	1	91	Plastic Pedal-EB P-1974C	2
27	Vessel(Right) Explorer P-1845R	1	92	Pedal Fixing Plastic P-1034	8
28	Right Turbofan RBM9733B-DC12V-0.5A(480)	1	93	Rear End Cap(Left) P-1975L	1
29	Round Head Philips Screw M4xP0.7x30	2	94	Rear End Cap(Right) P-1975R	1
30	Computer apm B1-F XRA-013-017F(Including Fan Socket)	1	95	Round Head Philips Drilling M4xP0.7x20	2
31	Round Head Philips Self Tappin Φ3x8	31	96	Running Belt 500x3210x3.0t Tyre Lines Black	1
32	Key Board APM KB2008 XEK-151-002	1	97	Front Roller Φ60	1
33	10PIN Wire (350mm) XL-419	1	98	CKS Hex Screw M8xP1.25x55	3
34	Control Wire(Upper)	1	99	Washer Φ8xΦ16x1.5t	3
35	Control Wire(Lower)	1	100	Rear Roller Φ60	1
36	Hand Pulse Wire(Upper) DK80 XL-792A	1	101	Rubber Foot Pad P-1032	2
37	Hand Pulse Wire(260mm) XEK-028-260	1	102	Incline Base Assembly 20" Fixed	1
38	Hand Pulse Wire(Lower) DK80XL-792B	2	103	Incline Fixing Base NT-1000	2
39	Truss Philips Screw M5xP0.8x10	11	104	CKS Hex Screw M8xP1.25x25	4
40	Wireless POLAR Pulse Receive XHB-RE06 5K	1	105	Plastic Bushing P-1037(Black)	2
40-1	POLAR Receiver RE06 Connec XL-RE06	1	106	Wheel Φ60XΦ10X30 Wheel	2
40-2	Double Sided Tape 20mmx20mm BAC0200-200-30	1	107	CKS Hex Screw M10xP1.5x60 30mm	2
40-3	Chest Belt Pulse Emitter POLAR T34	1	108	Incline Base 7Shaped Iron P NT-1379	2
41	Control Board Connecting Wire XHA-T34	1	109	R Ring	2
42	Control Board Connecting Wire XL-793B	1	110	Frame Assembly 22"x60" Fixed (30*60)	1
43	Lower Computer Cover P-2336	1	111	Extension Wire(White) 14AWGx90x2T	1
44	Computer Decoration Cover P-2337	1	112	Extension Wire(Black) 14AWGx90x2T	2
45	Safety Key Button P-2300	1	113	Extension Wire(White) 14AWGx170x2T	1
46	Safety Key Sensor Microadjustn(Wire Included--OFF)	1	114	Extension Wire(Black) 14AWGx170x2T	1
47	Spring NS-228	1	115	Extension Wire(Kelly) 14AWGx130mmx1T1R	1
48	Safety Key Base P-2328	1	116	KSS Wire Clip Base HC-25 1+2+2	5
49	Safety Key Slip Base P-2329	1	117	Belt 3.6x163mm Black 1+2+2	5
50	Upright(Left) HTC080	1	118	Guide Thread 1500mm	1
51	Upright(Right) HTC081	1	119	Nylon Rope DEC-20-1100	1
52	Ellipse Tube End P-1400	2	120	Clip PM-001	1
53	CKS Hex Screw SK-415	8	121	Computer Control Box Decal DK800T For Treadmill	1
54	Truss Hex Screw M8xP1.25x20 Blue Nylok Near the He	8	122	Computer Board Decal For Treadmill	1
55	Upper Motor Cover Type of AB:P-1313-ABS	1	123	T-Shaped Wrench 8mm x 200mm Ball Head Heat Treatme	1
56	Foam Sticker 80mmx20mmx1.5t Single Sided Tape	2	124	Hex Wrench 6mm x 80mm x 80mm Chromium Vana	1
57	Lower Motor Cover P-1314-ABS	1	124-1	Hex Wrench 5mm x 80mm x 80mm Chromium Vana	1
58	Truss Philips Screw M6xP1.0x10	13	125	Sleeve Spanner+Screwdriver K-433A (13mm)	1
59	Incline Motor(EA/EB 110V) XM-136A	1	126	Bottled Silicon DC-1000 100C.C Including Bottle	1
60	CKS Hex Screw M10xP1.5x40	1	127	Safety Key Connecting Wire XL-831	1
61	Nylon Nut M10xP1.5	3	128	Iron Core Ring RI229 XEJ-RI229	2
62	Motor (3.0HP) 110V	1	129-1	Iron Core Ring T35X23 XEJ-T35X23 1+	2
63	Motor Fixing Plate NO-2741C	1	129	Bottle PK-L-027	1
64	CKS Hex Screw M8xP1.25x15	2			
65	Spring Washer M8	10			