



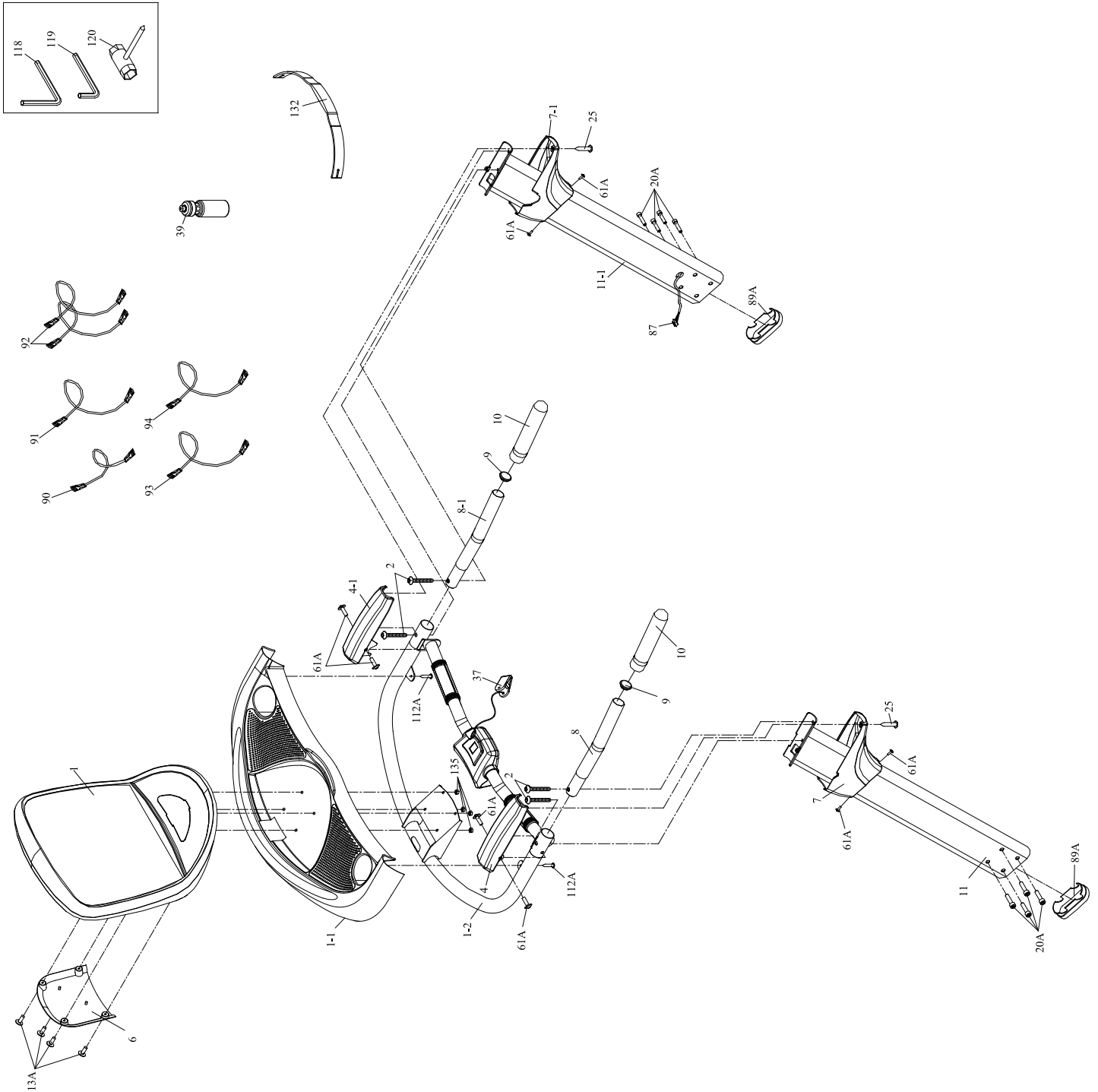
ILLUSTRATED PARTS MANUAL

Model Number:

**BLADEZ T4 PRO
TREADMILL**

Revised 12-08-06





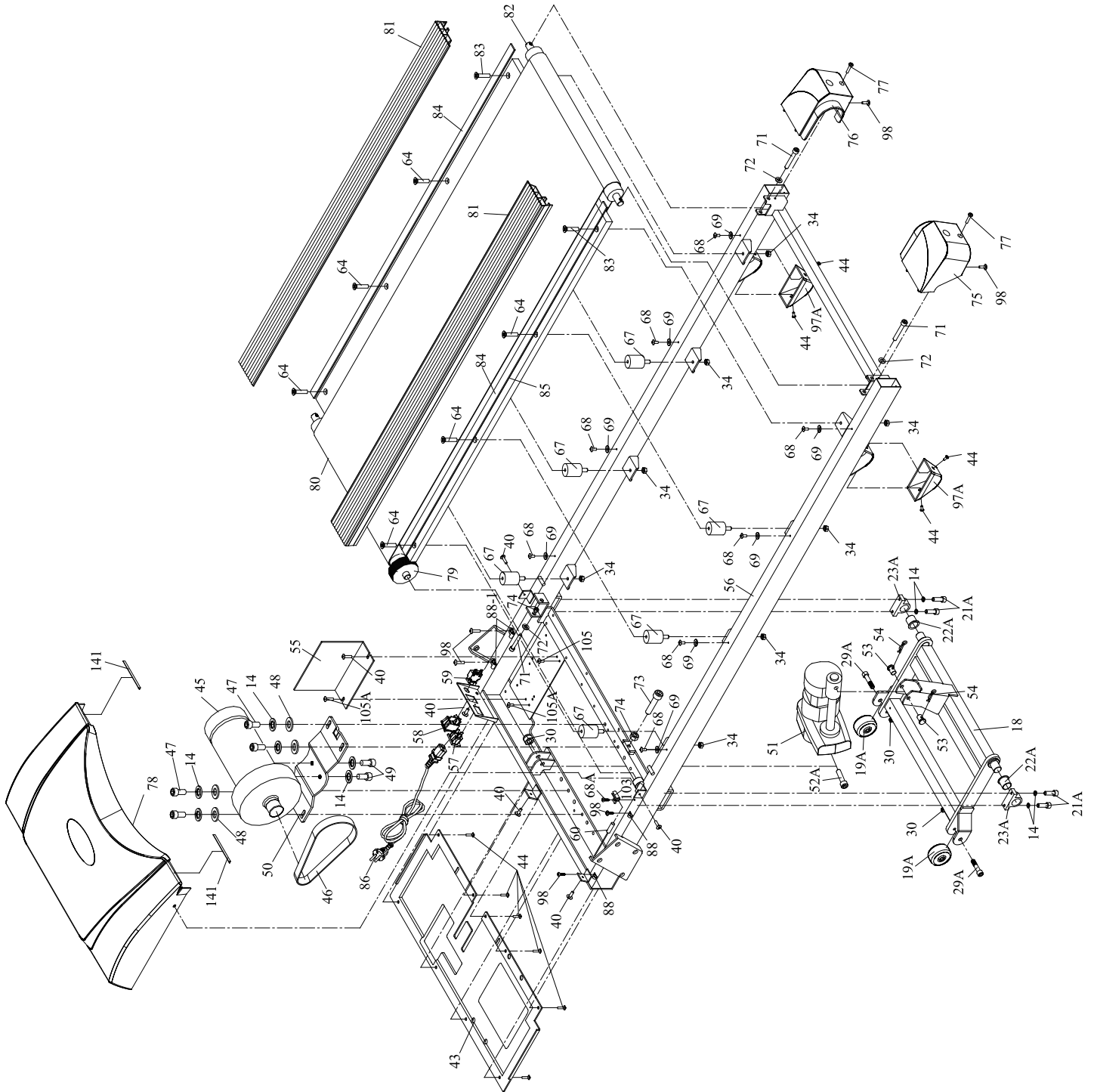


PARTS INFORMATION

BLADEZ T4 PRO TREADMILL

• FIGURE 2

ITEM #	PART #	DESCRIPTION	TOTAL QTY
1-1	T4P001	Computer Console	1
1-1-1	T4P001-1	Bottle Holder	1
1-1-2	T4P001-2	Bottle Holder Set	1
1-2	T4P002	Bolt K-299	4
1-4	T4P004	Handrail Upper Cover (L)	1
1-4-1	T4P004-1	Handrail Upper Cover (R)	1
1-6	T4P006	Console Rear Cover	1
1-7	T4P007	Handrail Lower Cover (L)	1
1-7-1	T4P007-1	Handrail Lower Cover (R)	1
1-8	T4P008	Handle Pipe (L)	1
1-8-1	T4P008-1	Handle Pipe (R)	1
1-9	T4P009	Curved Pipe Cap 1-1/2"x1.5t	2
1-10	T4P010	PVC Foam Tube	2
1-11	T4P011	Upright Pipe (L)	1
1-11-1	T4P011-1	Upright Pipe (R)	1
1-13A	T4P013A	Bolt M4xP0.7x8	4
1-20A	T4P020A	Bolt K-415	8
1-25	T4P025	Bolt 5x25	2
1-37	T4P037	Safety Key	1
1-39	T4P039	Water Bottle	1
1-61A	T4P061A	Bolt M5xP0.8x15	8
1-87	T4P087	Controller Cable	1
1-89A	T4P089A	Elliptical Pipe Cap	2
1-90	T4P090	Cable (yellow, green) 14AWGx130mmx1T1R	1
1-91	T4P091	Cable (white) 14AWGx90mmx2T	1
1-92	T4P092	Cable (black) 14AWGx90mmx2T	2
1-93	T4P093	Cable (white) 14AWGx170mmx2T	1
1-94	T4P094	Cable (black) 14AWGx170mmx2T	1
1-112A	T4P112	Bolt 4x12	2
1-118	T4P118	Wrench 6mm □ 80mmx80mm □	1
1-119	T4P119	Wrench 5mm	1
1-120	T4P120	Screwdriver	1
1-132	T4P132	Chest Belt	1
1-135	T4P135	Nut M6xP1.0	4





PARTS INFORMATION

BLADEZ T4 PRO TREADMILL

• FIGURE 4

ITEM #	PART #	DESCRIPTION	TOTAL QTY
2-14	T4P014	Spring Washer M8	10
2-18	T4P018	Incline Frame	1
2-19A	T4P019A	Roller 60x10x30t	2
2-21A	T4P021A	Bolt M8xP1.25x25	4
2-22A	T4P022A	Plastic Sleeve	2
2-23A	T4P023A	Incline Frame Fixity	2
2-29A	T4P029A	Bolt M10xP1.5x60	2
2-30	T4P030	Nut M10xP1.5	3
2-34	T4P034	Nut M8xP1.25	8
2-40	T4P040	Bolt M5xP0.8x10	6
2-43	T4P043	Motor Cover (lower)	1
2-44	T4P044	Bolt M6xP1.0x10	13
2-45	T4P045	Motor	1
2-46	T4P046	Ribbed Belt	1
2-47	T4P047	Bolt M8xP1.25x20	4
2-48	T4P048	Washer 8x19x3.0t	4
2-49	T4P049	Bolt M8xP1.25x15	2
2-50	T4P050	Motor Mounting Board	1
2-51	T4P051	Incline Motor	1
2-52A	T4P052A	Bolt M10xP1.5x40	1
2-53	T4P053	U-Shaped Pin	2
2-54	T4P054	R pin 10x2.0	2
2-55	T4P055	Controller	1
2-56	T4P056	Frame	1
2-57	T4P057	Power Socket	1
2-58	T4P058	Power Switch	1
2-59	T4P059	Circuit Breaker	1
2-60	T4P060	Sensor (round)	1
2-64	T4P064	Bolt M8xP1.25x35	6
2-67	T4P067	Cushion	6
2-68	T4P068	Bolt M4xP0.7x10	8
2-68A	T4P068A	Bolt M4xP0.7x15	1
2-69	T4P069	Deck Fixing Plastic	8
2-71	T4P071	Bolt M8xP1.25x55	3
2-72	T4P072	Washer 8x16x1.5t	3
2-73	T4P073	Bolt M8xP1.25x45	1
2-74	T4P074	Nut M8xP1.25	2
2-75	T4P075	Rear Adjustment Box (L)	1
2-76	T4P076	Rear Adjustment Box (R)	1
2-77	T4P077	Bolt M4xP0.7x20	2
2-78	T4P078	Upper Cover	1
2-79	T4P079	Front Roller Set	1
2-80	T4P080	Belt	1



PARTS INFORMATION

BLADEZ T4 PRO TREADMILL

• FIGURE 5

ITEM #	PART #	DESCRIPTION	TOTAL QTY
2-81	T4P081	Deck	2
2-82	T4P082	Rear Roller Set	1
2-83	T4P083	Bolt M8xP1.25x40	2
2-84	T4P084	Shock-Absorbing Foam	2
2-85	T4P085	Running Board	1
2-86	T4P086	Power Cable	1
2-88	T4P088	Cable Fixity UC-0	2
2-88-1	T4P088-1	Cable Fixity UC-1	2
2-97A	T4P097A	Rubber Pad	2
2-98	T4P098	Bolt M4xP0.7x16	6
2-103	T4P103	Sensor Fixity	1
2-105	T4P105	Bolt M5xP0.8x8	1
2-105A	T4P105A	Bolt M5xP0.8x10	2
2-141	T4P141	Sound Insulation Pad	2

BLADEZ T4-T6 PRO TREADMILL

