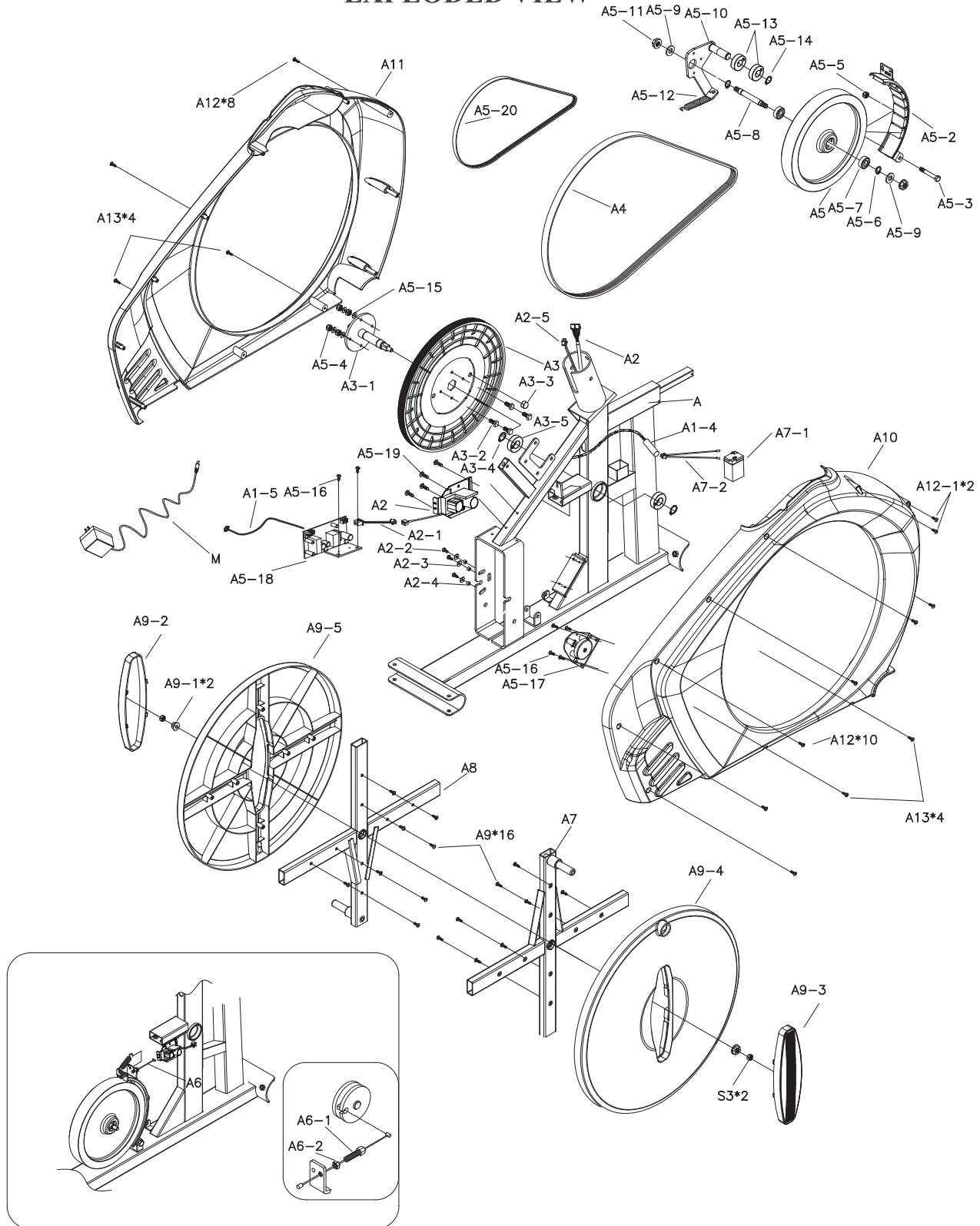


EXPLODED VIEW





PARTS LIST

P/N	DESCRIPTION	Q'TY	P/N	DESCRIPTION	Q'TY
A	MAIN FRAME	1	A7	CRANK (R)	1
A1-4	SENSOR WIRE	1	A7-1	ACID-LEAD BATTERY	1
A1-5	DC CORD	1	A7-2	CONNECT WIRE TWEEN ACID-LEAD BATTERY AND POWER SUPPLY CONTROLLER	1
A2	MOTOR	1	A8	CRANK (L)	1
A2-1	SENSOR WIRE	1	A9	SCREW (M5*20L)	16
A2-2	SCREW(M6*14L)	4	A9-1	NUT (M10*P1.0)	2
A2-3	WASHER(M6* ϕ 16*1.5T)	4	A9-2	TURNING CONNECTOR	1
A2-4	BUSHING(ϕ 9* ϕ 6.1*5.3L)	4	A9-3	TURNING CONNECTOR	1
A2-5	SENSOR WIRE	1	A9-4	TURING PLATE (R)	1
A3	DRIVE WHEEL	1	A9-5	TURING PLATE (L)	1
A3-1	AXLE (ϕ 19.98*146.6L)	1	A10	CHAIN COVER (R)	1
A3-2	CROSSHEAD SCREW FOR AXLE (M6*18L)	4	A11	CHAIN COVER (L)	1
A3-3	MAGNET	1	A12	SCREW (M4*25l)	8
A3-4	CLIP (C21)	2	A12-1	SCREW(M4*15)	2
A3-5	BEARING FOR AXLE (6004ZZ)	2	A13	SCREW (#10-32 牙*3/4")	4
A4	BELT (69J-1428)	1	B	FRONT FOOT TUBING	1
A5	FLYWHEEL (ϕ 260*10Kg)	1	B1	ADJUSTED END	2
A5-2	HOUSING FOR MAGNET	1	B2	IRON	2
A5-3	SCREW (M8*52L)	1	B3	END CAP(R)	1
A5-4	NUT(M6)	1	B3-1	END CAP(L)	1
A5-5	NUT (M8)	1	B4	TRANSPORT ROLLER UNIT	2
A5-6	CLIP (C12)	2	B5	SCREW (#8-32 牙*5/8")	4
A5-7	BEARING (6001ZZ)	2	C	SLIDE TRACK	1
A5-8	WHEEL AXLE (ϕ 12*120L)	1	C1	ADJUSTED END	2
A5-9	WASHER (M10* ϕ 21*2.0t)	2	C2	IRON	2
A5-10	PRESSING SPRING	1	C3	ALUMINUM TRACKING	2
A5-11	NUT (3/8" *26 ϕ)	2	C4	NUT (M5)	6
A5-12	SPRING	1	C5	WASHER (M5* ϕ 15*1.5)	6
A5-13	BEARING (6203ZZ)	2	C6	SCREW (M5*13L)	6
A5-14	CLIP (C17)	1	C7	SLIDE TRACK COVER (SMALL)	2
A5-15	WASHER(M6)	4	C8	SCREW (#10-32 牙*3/4")	2
A5-16	SCREW(M5*12)	6	C9	SCREW (M4*15L)	2
A5-17	GENERATOR	1	C10	SLIDE TRACK COVER (BIG)	1
A5-18	PANEL	1	C11	END CAP	2
A5-19	SCREW(M6*10)BK	4	D	CENTRAL SUPPORT TUBE	1
A5-20	BELT(370J2)	1	D1-1	HAND PULSE SENSOR WIRE	1
A6	TENSION CONNECTOR	1	D1-2	HAND PULSE SENSOR WIRE	1
A6-1	TENSION CABLE	1	D1-3	SENSOR WIRE	2
A6-2	NUT	1	D2	SENSOR WIRE	1



PARTS LIST (cont'd)

D2-1	SENSOR WIRE	1	F23	WASHER (M10* ϕ 20*2.3t)	4
D3	COVER FOR CENTRAL SUPPORT TUBE(REAR)	1	F24	WASHER (M10)	2
D4	END CAP OF MAIN SUPORT TUBE (FRONT)	1	F25	BEARING (6003ZZ)	2
D5	SCREW (M4*12L)	2	F26	BUSHING	4
D6	ALUMINUM PLATE	1	F27-1	BRACKET(L)	1
E1	SIDE HANDLE BAR(R)	1	F27	BRACKET(R)	1
E1-1	SENSOR WIRE	1	F28	WHEEL (ϕ 70)	2
E2	SIDE HANDLE BAR(L)	1	F29	SPRING (M8)	2
E2-1	SENSOR WIER	1	F30	SCREW (M8*78L)	2
E3	SPONGE	2	F31	WASHER (M8* ϕ 16*1.2t)	2
E4	TOGGLE SWITCH (RIGHT)	2	F32	NUT (M8)	2
E5	TOGGLE SWITCH (LEFT)	2	F33	SCREW (M8*20L)	2
E6	TOGGLE SWITCH (UPPER)	6	F34	WASHER (M8* ϕ 28*2.0t)	2
E7	PLASTIC CIRCUIT BOARD (R)	1	F35	SPRING (M8)	6
E7-1	PLASTIC CIRCUIT BOARD (L)	1	F36	WASHER(M8*16*1.2)	4
E8	SCREW (M3-10L)	2	G1	FRONT HANDLEBAR(RIGHT)	1
F2	PEDAL TUBE	2	G1-1	HAND PULSE SENSOR WIRE	1
F3	BRACKET(R)	1	G2	FRONT HANDLEBAR(LEFT)	1
F3-1	BRACKET(L)	1	G2-1	HAND PULSE SENSOR WIRE	1
F4	PEDAL(R)	1	G3	HAND PULSE	2
F4-1	PEDAL(L)	1	G4	PAD FOR HAND PULSE	2
F5	CUSHION PAD(R)	1	G5	HAND PULSE	2
F5-1	CUSHION PAD(L)	1	G6	PAD FOR HAND PULSE	2
F6	DECORATION COVER FOR PEDAL(R)	1	G7	END CAP	2
F6-1	DECORATION COVER FOR PEDAL(L)	1	G8	END CAP	2
F7	SCREW (M8*16L)	4	G9	SCREW (M3*35L)	4
F8	WASHER (M8* ϕ 18.8*2.3t)	2	G10	NUT	4
F9	BEARING (6002ZZ)	2	H	DECORATION COVER	1
F9-1	BUSHING(ϕ 12.1* ϕ 17*34L)	2	J	MONITOR	1
F10	BUSHING (ϕ 15*78L)	12	J1	SCREW	2
F11	SCREW (M8*20L)	6			
F12	SCREW (M5*12L)	2	K2	BOTTLE HONDEL	1
F13	SCREW (M4*20L)	6	L1	DECORATION COVER OF PEDAL TUBE(R)	1
F14-1	SCREW(M16)	2	L2	DECORATION COVER OF PEDAL TUBE(L)	1
F19	SPRING (6004ZZ)	2	M	ADAPTOR	1
F20	PEDAL TUBE (RIGHT)	1	P1	DECORATION COVER OF JOINTED PEDAL TUBE	2
F20-1	PEDAL TUBE(LEFT)	1	P2	DECORATION COVER OF	2
F21	JOINT PEDAL TUBE(R)	1		JOINTED PEDAL TUBE	
F21-1	JOINT PEDAL TUBE(L)	1	P3	DECORATION COVER OF JOINTED PEDAL TUBE(L)	1
F22	NUT (M10)	2	P4	DECORATION COVER OF JOINTED PEDAL TUBE(R)	1



PARTS LIST (cont'd)

N1	DECORATION COVER OF HANDLE BAR	2	R18	BUSHING	4
N2	DECORATION COVER OF HANDLE BAR	2	R19	RING	2
R1	SCREW (M8*58)	2	R20	WASHER(M8*22*2.0)	1
R2	SPRING (M8*70)	2	R21	WASHER(M8*25*2.0)	2
R3	SCREW(M8*20) BK	8	R22	NUT (M8)	2
R4	SCREW (M10*112L)	2	R23	WASHER(ϕ 20* ϕ 25.2*0.4)	2
R5	SCREW(M5*20)	2	R24	SCREW(M8*30)	2
R6	SCREW(M6*10)	6	R25	WASHER(8*16*1.2)BK	8
R7	SCREW(M8*15)	4	S2	CONNECT HANDLE BAR TUBE(LEFT)	1
R8	SCREW(M8*20)BK	2	S1	CONNECT HANDLE BAR TUBE(RIGHT)	1
R9	SCREW(M4*15)	2	S3	NUT	2
R10	SCREW(M4*10)	6			
R11	SCREW(M8*20)	2			
R12	SCREW(M5*12)	4			
R13	SPRING WASHER(M8)	10			
R14	WASHER(M8*16*1.2)	12			
R15	WASHER(M10*22*1.5)	2			
R16	SPRING WASHER(M8)BK	11			
R17	SPRING WASHER(M10)	2			