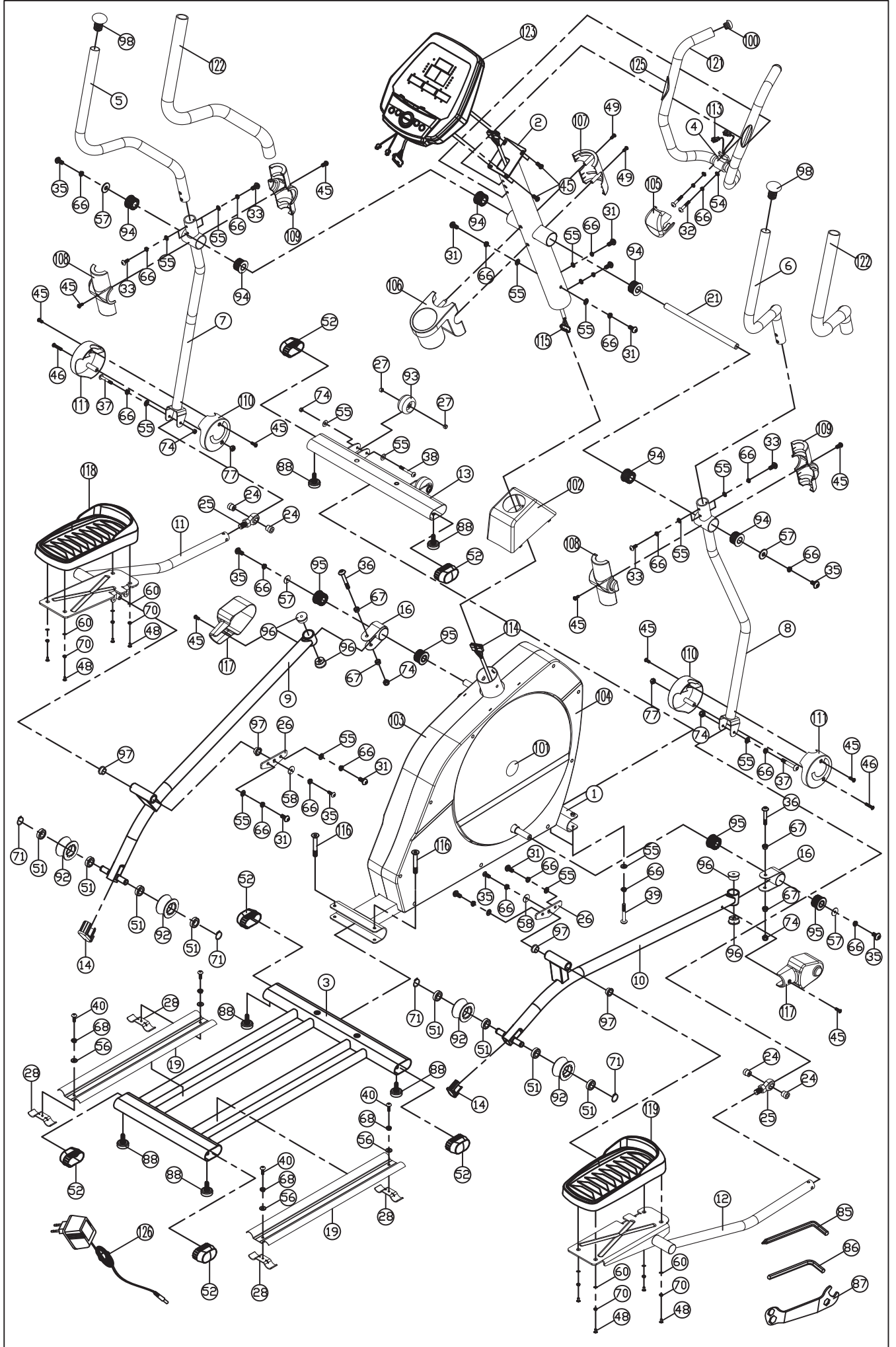
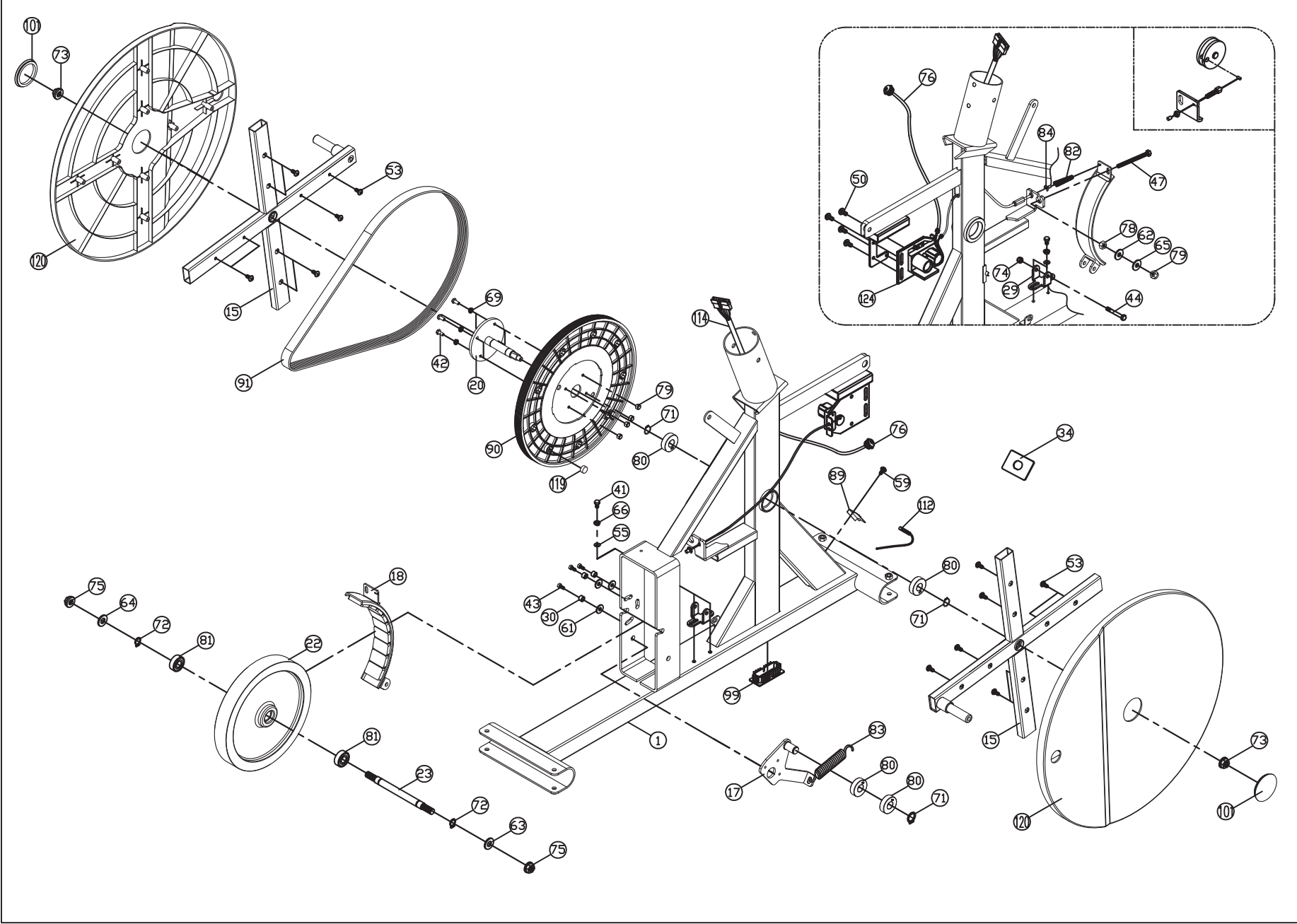


EXPLODED VIEW DRAWING



EXPLODED VIEW DRAWING





PARTS LIST

NO.	Description	SRS Part #	QTY
1	BASE FRAME	CWXS1BH-1	1
2	UPRIGHT tube	CWXS1BH-2	1
3	REAR FRAME	CWXS1BH-3	1
4	handlebar	CWG865-4	1
5	handlebar	CWG860-5	1
6	handlebar	CWG860-6	1
7	handlebar	CWG860-7	1
8	handlebar	CWG860-8	1
9	pedal tube (L)	CWXS1BH-9	1
10	pedal tube (R)	CWXS1BH-10	1
11	outer pedal post (L)	CWXS1BH-11	1
12	outer pedal post (R)	CWXS1BH-12	1
13	FRONT FOOT	CWXS1BH-13	1
14	OVAL PLASTIC	CP9-XS1BH	2
15	CROSS FRAME	CWG860-15	2
16	JOINT pedal tube	CWXC150-29	2
17	JOCKEY w heel bracket	CWPARD16-13	1
18	magnetic holder bracket	CWPAFD-17#3	1
19	ALUMINUM RAIL	CPSG865-22	2
20	axle FOR PULLEY	CPSCE3016-19-06#4	1
21	axle support	H08-203395#4	1
22	flyw heel	H01-08260103#7	1
23	flyw heel axle	H08-12120#2	1
24	bushing	CPSE401-28#1	4
25	screw (M16)	IC03-1616	2
26	washer FOR pedal	PS28-CE35-01	2
27	bushing tube	TW0841307#1	4
28	REINFORCE PLATE	CPS52024-22	2
29	magnetic HOLDER	PS27-107MA-1#3	1
30	bushing tube	CPS10203-18	3
31	M8*15mm Allen head screw	S1A-0815B	8
32	M8*30mm Allen head screw	S1A-0830B	2
33	M8*20mm Allen head screw	S1A-0820B	8
34	POWER SUPPLY PLATE	CPS53022-21#1	1
35	M8*20mm Allen head screw	S1A-0820B-L	6
36	M8*69mm Allen head screw	CS1A-0869B-20	2
37	M8*70mm Allen head screw	S1A-0870B-20	2
38	M8*60mm Allen head screw	S1A-0860B	2
39	M8*58mm Allen head screw	S1A-0858B	2
40	M8*20mm Allen head screw	CS1A-0820-S	4
41	M8*15mm HEX head bolt	S60-0815B	2
42	M6*18mm HEX head bolt	S60-0618MB-L	4
43	M6*14mm HEX head bolt	S60-0614MB-L	3
44	M8*52mm HEX head bolt	S60-0852B-12	1
45	M5*15mm screw	CSOT-0515B	14
46	M5*25mm screw	CSOT-0525B	2
47	M6*65mm HEX head bolt	S60-0665B	1
48	M5*12mm screw	S1T-0512B	8
49	M4*25mm screw	SOTP-0425B	2
50	M6*10mm screw	S1T-0610B	4
51	bearing<6003ZB>	IC6003-ZB	8
52	OVAL PLASTIC	CP9-4080A2	4
53	M5*20mm screw	CS2TP-0520B	16
54	CURVE washer M8	AW-0816B-12	2
55	M8*16 washer	SW-0816B-12	28
56	CURVE washer M8	CSW-0816-12-S	4
57	M8*38 washer	SW-0838B-20	4
58	M8*28 washer	SW-0828B-20	2
59	Round Philips head self tapping screw #6 * 12 mm	SOTB-#612B	1
60	M5*16 washer	SW-0516B-15	8
61	M6*16 washer	SW-0616B-15	3
62	M6*19 washer	SW-0619B-15	1
63	Ø10*Ø21 washer	SW-1021B-20	1

NO.	Description	SRS Part #	QTY
64	Ø10*Ø20 washer	SW-1020B-10	1
65	M6 washer	CP-SW0622N	1
66	M8 spring washer	SSW-08B	32
67	M8 TAPER washer	CTSW-811B-45	4
68	M8 spring washer	CSSW-08-S	4
69	M6 spring washer	SSW-06B	4
70	M5 spring washer	CSSW-05B	8
71	CLIP C17	S30-C17B	7
72	CLIP C12	S30-C12B	2
73	3/8**9T WH nut	CSFN-38-9-14-L	2
74	NYLOC nut M8	SNN-08B	7
75	3/8**7T WH nut	SFN-38B-7-L#1	2
76	DC WIRE	CSM-CYY-700A	1
77	M5*6T nut	CSSN-05B-6T	2
78	M6 nut	SSN-06B	1
79	NYLOC nut M6	SNN-06B	5
80	bearing<6203ZB>	IC6203-ZB	4
81	bearing<6001ZB>	IC6001-ZB	2
82	spring	CS-DB	1
83	spring-BIG	CH5-3521B109-90	1
84	WIRE ROD	CP59-380-60	1
85	tool	CST-L650105B-T	1
86	tool	ST-L6	1
87	tool	ST-04	1
88	ROUND screw FOR ADJ HEIGH	CP18-42R-47L#2	6
89	SENSOR bracket	33968	1
90	PULLEY	000-8415-3	1
91	BELT	CP02-6PJ580G	1
92	ROLLER	CP26-70B	2
93	MOVING w heel	CP46-8460P	2
94	plug axle support	P05-A103C3B	6
95	plug axle support	CP39-4519B-LNP404	4
96	bushing	P3-33P2	4
97	bushing	33715#1	4
98	handlebar	CP38-318P	2
99	cover	P16-3070B	1
100	ROUND END CAP FOR25.4tube	CP51-254B-20PVC	2
101	TURNING PLATF cover	P10-982BA-B	2
102	FRONT SLEEVE	CP44-XS1BH-1	1
103	FRONT CAP FOR CHAIN cover (L)	CP41-XS1BH-L	1
104	FRONT CAP FOR CHAIN cover (R)	CP41-XS1BH-R	1
105	SWIVEL PIVOT cover	CP44-XS1BH-2	1
106	FRONT WATER BOTTLE RACK	CP44-XS1BH-3	1
107	REAR WATER BOTTLE RACK	CP44-XS1BH-4	1
108	SWIVEL PIVOT cover - FRONT	CP44-XS1BH-5	2
109	SWIVEL PIVOT cover - BACK	CP44-XS1BH-6	2
110	SW pedal PIVOT cover - L	CP44-XS1BH-7	2
111	SW pedal PIVOT cover - R	CP44-XS1BH-8	2
112	SENSOR WIRE	CSM-CY G3-500A	1
113	HAND PULSE WIRE	CSM-CY S3-600B	2
114	LOWER COMPUTER CABLE	CSM-CTD2-600B	1
115	UPPER COMPUTER CABLE	CSM-CY D1-850B	1
116	M8*58mm screw	CS2A-0858B	2
117	pedal tube cover	CP44-XS1BH-14	2
118	pedal	CP37-XS1BH	2
119	MAGNET	CH16-157-1	1
120	TURNING PLATF cover	CP61-XS1BH	2
121	handlebar	CP23-224H654	2
122	handlebar	CP23-304H840	2
123	CONSOLE	CSM-2735-71-R	1
124	MOTOR	CSM-ERGO-1	1
125	HAND PULSE SENSOR	CSM-TC18-1	2
126	ADAPTOR	CIC03-CY-12	1