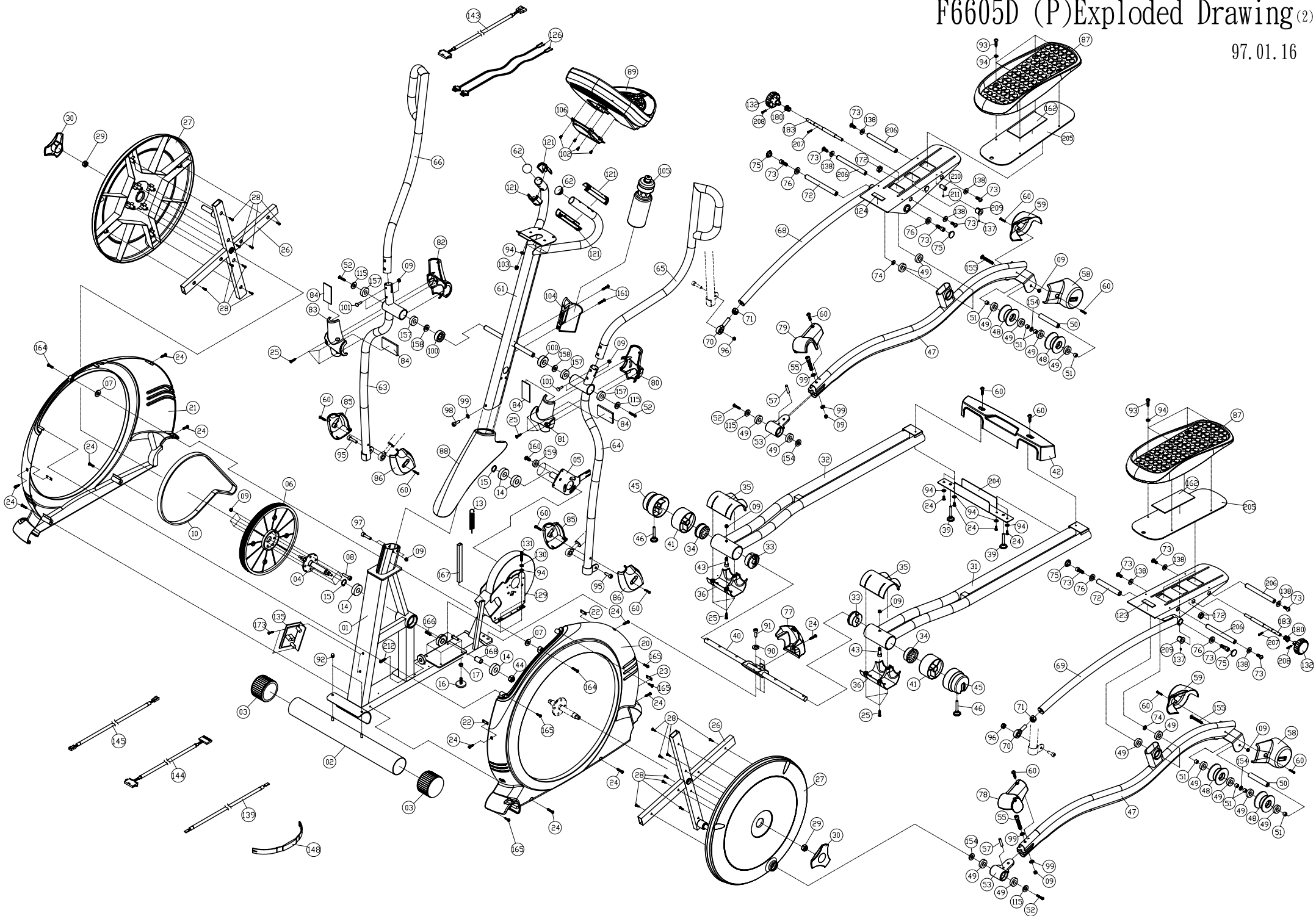


F6605D (P) Exploded Drawing (2)

97.01.16



F6605D (P) Part List

■ 修改處

版次2

Item	Description	Qty	Item	Description	Qty
1	Frame	1	61	Upper Control Tube	1
2	Front Base Tube	1	62	Tube Cap P-1712(Ø1-1/4")	2
3	Movable Wheel 075 (FM002)	2	63	Handrail Assembly(Right)	1
4	Grank Assembly	1	64	Handrail Assembly(Left)	1
5	Idle Assembly	1	65	Upper D-Shaped Handrail(PU)	1
6	Belt Wheel(Big) Ø310 (J8)	1	66	Upper D-Shapde Handrail(PU)	1
7	Plastic Washer Ø8XØ19X5.5t	2	67		
8	CKS Hex Screw M8XP1.25X20 (BK)	4	68	Motion Arm(Right)	1
9	Nylon Nut M8XP1.25 (BK)	16	69	Motion Arm(Left)	1
10	Belt 49" J8	1	70	Fisheye(Universal Bearing POS12-R(Ø12)	2
11			71	Nylon Nut M12	2
12			72	Motion Axis NT-1461	2
13	Idle Incline Spring NS-122	1	73	CKS Hex Screw M8XP1.25X15	12
14	Bearing 6204ZZ	4	74	Plastic Washer P-1651 (BK)	2
15	C-Shaped Ring Ø20 (BK)	2	75	End Cap P-1393	4
16	Adjustment Foot Pad GA51AM827	1	76	Flat Washer Ø8.5XØ19X2.0t (BK)	4
17	Nut M8XP1.25 (BK)	1	77	Middle Frame Cover P-1507	1
18			78	Pedal Iron Tube Protecting P-1517L	1
19			79	Pedal Iron Tube Protecting P-1517R	1
20	Frame Side Cover(Left) P-1506L	1	80	Front Handrail Protecting P-1527	1
21	Frame Side Cover(Right) P-1506R	1	81	Rear Handrail Protecting CP-1527A	1
22	Lock Plastic Fixing Iron P NO-3141	2	82	Front Handrail Protecting P-1527B	1
23	Lock Plastic Fixing Iron P NO-3141A	1	83	Rear Handrail Protecting CP-1527C	1
24	Truss Philips Screw M5XP0.8X10 (BK)	15	84	Foam Sticker 70X40X5.0t	4
25	Truss Philips Wood Screw Ø4X16 (BK)	12	85	Link Bar Protecting Cover P-1518L	2
26	Turnplate Cross	2	86	Link Bar Protecting Cover P-1518R	2
27	Plastic Turnplate P-1504	2	87	Pedal P-1519	2
28	Truss Philips Wood Screw Ø5X15 (BK)	16	88	Control Tube Plastic P-1508	1
29	Washer Nut M14XP1.5X10t	2	89	Computer Console	1
30	Turnplate Protecting Cove P-1505	2	90	Spring Washer M10用 (BK)	3
31	Stabilizer Assembly(Left)	1	91	CKS Hex Screw M10X20 (BK)	3
32	Stabilizer Assembly(Right)	1	92	Nut M8XP1.25 (BK)	2
33	Pedal Iron Tube Plastic(Out) P-1514	2	93	Truss Philips Screw(Blue) M5XP0.8X10 (BK)	8
34	Pedal Iron Tube Plastic(In) P-1514A	2	94	Flat Washer Ø6XØ13X1.0t (BK)	20
35	Stabilizer Folding Plastic(IP-1510A)	2	95	CKS Hex Screw M12XP1.75X40 (BK)	2
36	Stabilizer Folding Plastic(IP-1510B)	2	96	Nut M12XP1.75 (BK)	2
37			97	CKS Hex Screw M8XP1.25X60 (BK)	2
38			98	CKS Hex Screw M8XP1.25X15 (BK)	1
39	Adjustment Foot Pad 3/8"X29mm	2	99	Arc Washer NO-2014 (BK)	5
40	Folding Core Assembly	1	100	Handrail Fixing Plastic P-1520	2
41	Axle Protecting Tube P-1722	2	101	Screw M8XP1.25X45 (BK)	4
42	Rear Stabilizer Protecting P-1972	1	102	Truss Philips Screw M4XP0.7X8 (BK)	4
43	CKS Hex Screw M8XP1.25X70 (BK)	2	103	Nut M6XP1.0 (BK)	4
44	Nylon Nut M20XP1.0	1	104	Bottle Holder NT-771	1
45	Folding End Cap(Outer) P-1513	2	105	Bottle L-027	1
46	Adjustment Foot Pad P-1768	2	106	TV Decoration Cover P-1646	1
47	Pedal Iron Tube Plastic	2	107		
48	Wheel P-1728A(Ø74X44)	4	108		
49	Bearing 6003ZZ	16	109		
50	Wheel Fixing Bushing NT-1557	2	110		
51	Outer and Inner Pumping Ø18XØ23.7X7	8	111		
52	Truss Hex Screw M8XP1.25X15 (BK)	4	112		
53	Pedal Fixing Plate Assembly(Front)	2	113		
54			114		
55	CKS Hex Screw M8XP1.25X85 (BK) 30mm	2	115	Washer Ø8XØ25X2.0t (BK)	4
56			116		
57	Pedal Iron Tube Plastic Cc NT-1560	2	117		
58	Wheel Protecting Cover(L) P-1516L	2	118		
59	Wheel Protecting Cover(R) P-1516R	2	119		
60	Truss Philips Screw M4XP0.7X15 (BK)	12	120		

Item	Description	Qty	Item	Description	Qty
121	Hand Pulse Set	2	176		
122			177		
123	Inching Pedal Decal(Left) RBC-6605-003L	1	178		
124	Inching Pedal Decal(Right) RBC-6605-003R	1	179		
125			180	Toothed Tube Fixing Core NT-2065	2
126	Hand Pulse Cord(Lower) XL-270 720mm	2	181		
127			182		
128			183	Screw Thread Toothed Tu NT-2066	2
129	Grinding Wheel 0242	1	184		
130	Spring Washer M6XP1.0	4	185		
131	CKS Hex Screw M6XP1.0X20	4	186		
132	Button P-1144A & NT-2068	2	187		
133			188		
134			189		
135	Lower PC Control Board	1	190		
136			191		
137	Hollow Pin 03x5	2	192		
138	Flat Washer 08.5X020X1.5t (BK)	8	193		
139	Grinding Wheel Control WXL-505	1	194		
140			195		
141			196		
142			197		
143	Control Wire(Middle)	1	198		
144	Control Wire(Lower)	1	199		
145	Grinding Wheel Control WXL-426	1	200		
146			201		
147			202		
148	Wireless Pulse Emitter	1	203		
149			204	Plastic Supporting Iron Pl: NO-3351	1
150			205	Adjustable Pedal Assembly	2
151			206	Adjustment Slip Axis NT-2064	4
152			207	Round Head Philips Screw M4XP0.7X10 (BK)	2
153			208	Round Head Philips Screw M4XP0.7X15 (BK)	2
154	Wave Washer 017X024x0.3t	4	209	Twin-Block Screw NT-1911	2
155	Fixing Screw SK-443 M8X135 (牙長15)	2	210	Adjustment Iron Plate NT-2073	1
156			211	Non-Head Screw M4XP0.7X4	1
157	Bearing 6904VV	4	212	CKS Hex Screw M8XP1.25X30	1
158	Wave Washer 020.7X029.1x0.3t	2			
159	Idel Pad NT-1489	3			
160	Count Sink Hex Screw M5xP0.8x15	3			
161	Truss Philips Screw M4xP0.7x10 (BK)	2			
162	Foam Sticker 200X60X2.0t	2			
163					
164	Truss Philips Screw M5XP0.8X15 (BK)	2			
165	Truss Philips Wood Screw 05X12	4			
166	CKS Hex Screw M8XP1.25X25	1			
167	HDR Foam Grip 017X024x80	1			
168	Belt Wheel Sleeve Inner CNT-1633	1			
169					
170					
171					
172	Hex Nut 5/8"-18UNF	2			
173	Truss Philips Screw M5XP0.8X12	2			
174					
175					