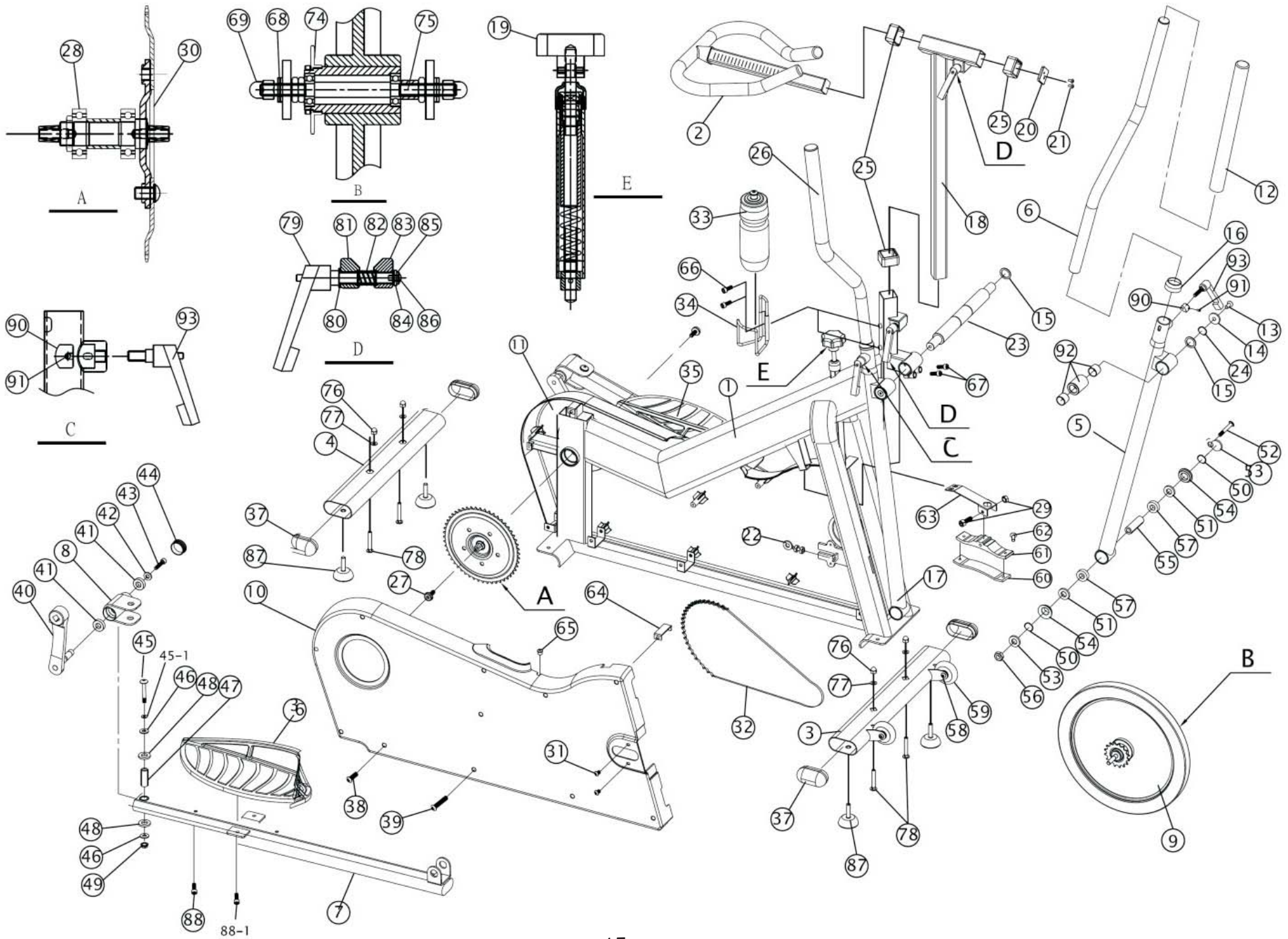


EXPLODED VIEW DRAWING





PARTS LIST

| No. | Description | Q'ty | No. | Description | Q'ty |
|-----------|--------------------------------|------|-----------------|--|------|
| 1 | Frame | 1 | 46 | Washer | 4 |
| 2 | Handlebar w/slider | 1 | 47 | Housing | 2 |
| 3 | Front foot tube (complete) | 1 | 48 | Washer | 4 |
| 4 | Rear foot tube (complete) | 1 | 49 | Nut | 2 |
| 5+50~57 | Lower swing arm / Left | 1 | 50 | Washer | 4 |
| 6 | Upper swing arm L | 1 | 51 | C clip | 4 |
| 7+8+41~49 | Platform support tube | 1 | 52 | Screw | 2 |
| 8 | U plate | 2 | 53 | Washer | 4 |
| 9 | Flywheel complete set | 1 | 54 | Aluminum clip | 4 |
| 10 | Outer chain guard /R | 1 | 55 | Axle housing | 2 |
| 11 | Outer chain guard /L | 1 | 56 | Nut | 2 |
| 12 | Grip for upper swing arm | 2 | 57 | Bearing | 4 |
| 13 | Screw | 2 | 58 | Axle bolt for moving wheel | 2 |
| 14 | Washer | 2 | 59 | Moving wheel | 2 |
| 15 | Nylon washer | 4 | 60 | Brake pad | 1 |
| 16 | Rubber sleeves for swing arm | 2 | 61 | Brake pad holder | 1 |
| 17+50~57 | Lower swing arm / Right | 1 | 62 | Bolt for brake pad | 2 |
| 18 | Handlebar w/post | 1 | 63 | Spring bracket | 1 |
| 19 | Brake system | 1 | 64 | Fixed plate for chain guard | 1 |
| 20 | Stop plate | 1 | 65 | Rubber cap for chain guard | 1 |
| 21 | Bolt for stop plate | 2 | 66 | bolt for bottle cage | 4 |
| 22 | Flywheel adjuster bolt | 2 | 67 | stem bolt | 2 |
| 23 | Axle | 1 | 68 | flywheel washer | 4 |
| 24 | Washer | 2 | 69 | flywheel security nut | 2 |
| 25 | Rubber sleeve | 3 | 74 | fixed wheel sprocket | 1 |
| 26 | Upper swing arm / R | 1 | 75+74+ 68+69 | flywheel axle set (w/bearing, nut, fixed wheel sprocket, washer, nut cap) | 1 |
| 27 | Crank bolt | 2 | 76 | foot tube nut | 4 |
| 28 | BB bearing | 2 | 77 | foot tube washer | 4 |
| 29 | Bolt & nut for brake pad | 1 | 78 | foot tube bolt | 4 |
| 30 | BB axle w/plate & bolt | 1 | 79 | release lever | 2 |
| 31 | Outer chain guard bolt /M6 | 4 | 80 | washer for release lever | 2 |
| 32 | Chain | 1 | 81 | alloy clip R | 2 |
| 33 | Water bottle | 1 | 82 | spring for release lever | 2 |
| 34 | Bottle cage | 1 | 83 | alloy clip L | 2 |
| 35+36 | Plate form R & L | 1 | 84 | washer for release lever | 2 |
| 37 | Foot tube end cap | 4 | 85 | plastic washer for release lever | 2 |
| 38 | Bolt for chain guard /M5 * 10L | 6 | 86 | fixed bolt for release lever | 2 |
| 39 | Bolt for chain guard /M5 * 20L | 9 | 87 | foot tube adjuster pad | 4 |
| 40 | Crank arm w/axle bolt | 2 | 88 | bolt (40L) for plate form w/washer | 6 |
| 41 | Crank bearing | 4 | 88-1 | bolt (15L) for plate form w/washer | 2 |
| 42 | Washer | 2 | 90 | Aluminum stop plate | 2 |
| 43 | Screw & washer | 2 | 91 | fixed bolt | 2 |
| 44 | Plug | 2 | 92 | Steel housing w/ 2*bearing | 2 |
| 45 | Screw | 2 | 93 | Release lever | 2 |
| 45-1 | Washer | 2 | | | |